

TAPER LOCK® CHAIN SPROCKETS



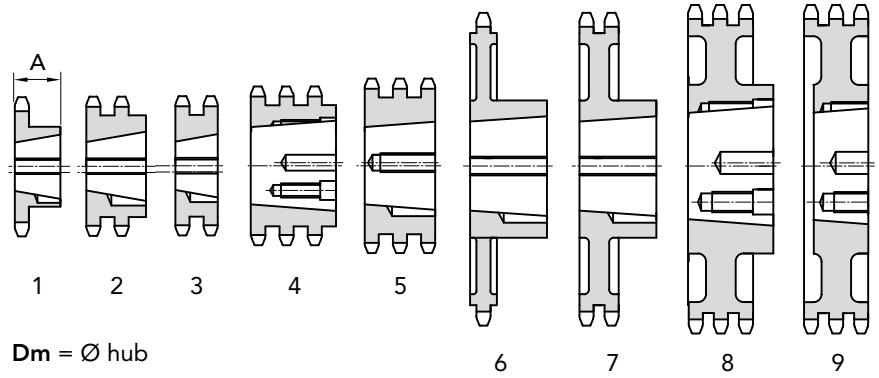
TAPER LOCK® CHAIN SPROCKETS

MATERIAL **STEEL**
C 45 UNI 5007

AVAILABLE ALSO
WITH INDUCTION
HARDENED TEETH

MATERIAL **IN CAST IRON**
GG20 UNI 5007

Hardened teeth HRC 45÷53



| PITCH | SIMPLES | | | | | | | | | | DOUBLE | | | | | | |
|------------------|-----------------|--------------------|------------|------|-----------|------------|--------|------|----------|-----------|------------|------|-----------|------------|--------|------|------|
| | STEEL P. NUMBER | HARDENED P. NUMBER | COD. PITCH | Z | for taper | Exec. bush | Dm hub | A | Kg | P. NUMBER | COD. PITCH | Z | for taper | Exec. bush | Dm hub | A | Kg |
| 3/8" 9,52 mm | 17109017 | 18109017 | 031-17 | 17 | 1008 | 1 | 44,5 | 22 | 0,11 | 17209017 | 032-17 | 17 | 1008 | 2 | 42,5 | 22 | 0,11 |
| | 17109018 | - | 031-18 | 18 | 1008 | 1 | 43 | 22 | 0,14 | 17209018 | 032-18 | 18 | 1008 | 2 | 43 | 22 | 0,15 |
| | 17109019 | 18109019 | 031-19 | 19 | 1008 | 1 | 46 | 22 | 0,15 | 17209019 | 032-19 | 19 | 1008 | 2 | 46 | 22 | 0,18 |
| | 17109020 | - | 031-20 | 20 | 1008 | 1 | 46 | 22 | 0,16 | 17209020 | 032-20 | 20 | 1008 | 2 | 48 | 22 | 0,22 |
| | 17109021 | 18109022 | 031-21 | 21 | 1008 | 1 | 46 | 22 | 0,18 | 17209021 | 032-21 | 21 | 1008 | 2 | 49 | 22 | 0,16 |
| | 17109022 | - | 031-22 | 22 | 1108 | 1 | 50 | 22 | 0,25 | 17209022 | 032-22 | 22 | 1108 | 2 | 52 | 22 | 0,28 |
| | 17109023 | 18109023 | 031-23 | 23 | 1210 | 1 | 62 | 25 | 0,27 | 17209023 | 032-23 | 23 | 1210 | 2 | 58 | 25 | 0,27 |
| | 17109024 | - | 031-24 | 24 | 1210 | 1 | 62 | 25 | 0,30 | 17209024 | 032-24 | 24 | 1210 | 2 | 61 | 25 | 0,32 |
| | 17109025 | 18109025 | 031-25 | 25 | 1210 | 1 | 63 | 25 | 0,32 | 17209025 | 032-25 | 25 | 1210 | 2 | 64 | 25 | 0,37 |
| | 17109026 | - | 031-26 | 26 | 1210 | 1 | 60 | 25 | 0,33 | 17209026 | 032-26 | 26 | 1210 | 2 | 65 | 25 | 0,44 |
| | 17109027 | 18109027 | 031-27 | 27 | 1210 | 1 | 60 | 25 | 0,34 | 17209027 | 032-27 | 27 | 1210 | 2 | 65 | 25 | 0,50 |
| | 17109028 | - | 031-28 | 28 | 1210 | 1 | 60 | 25 | 0,37 | 17209028 | 032-28 | 28 | 1210 | 2 | 65 | 25 | 0,57 |
| | 17109030 | 18109030 | 031-30 | 30 | 1210 | 1 | 63 | 25 | 0,39 | 17209030 | 032-30 | 30 | 1210 | 2 | 65 | 25 | 0,68 |
| | 17109038 | - | 031-38 | 38 | 1210 | 1 | 73 | 25 | 0,65 | 17209038 | 032-38 | 38 | 1610 | 2 | 76 | 25 | 1,03 |
| | 17109045 | - | 031-45 | 45 | 1210 | 1 | 73 | 25 | 1,01 | 17209045 | 032-45 | 45 | 1610 | 2 | 89 | 25 | 1,08 |
| | 17109057 | - | 031-57 | 57 | 1210 | 6 | 83 | 25 | 1,34 | 17209057 | 032-57 | 57 | 1610 | 7 | 89 | 25 | 1,16 |
| | 17109076 | - | 031-76 | 76 | 1210 | 6 | 83 | 25 | 1,84 | 17209076 | 032-76 | 76 | 1610 | 7 | 89 | 25 | 2,19 |
| | 17109095 | - | 031-95 | 95 | 1210 | 6 | 83 | 25 | 2,30 | 17209095 | 032-95 | 95 | 1610 | 7 | 89 | 25 | 3,00 |
| | 17109114 | - | 031-114 | 114 | 1215 | 6 | 83 | 38 | 3,50 | 17209114 | 032-114 | 114 | 1615 | 7 | 89 | 38 | 5,00 |
| 1/2" 12,70 mm | 17112015 | 18112015 | 041-15 | 15 | 1008 | 1 | 46 | 22 | 0,16 | 17212015 | 042-15 | 15 | 1008 | 2 | 46 | 22 | 0,22 |
| | 17112016 | - | 041-16 | 16 | 1108 | 1 | 50 | 22 | 0,20 | 17212016 | 042-16 | 16 | 1108 | 2 | 50 | 22 | 0,22 |
| | 17112017 | 18112017 | 041-17 | 17 | 1210 | 1 | 59,5 | 25 | 0,22 | 17212017 | 042-17 | 17 | 1210 | 2 | 56 | 25 | 0,23 |
| | 17112018 | - | 041-18 | 18 | 1210 | 1 | 60 | 25 | 0,27 | 17212018 | 042-18 | 18 | 1210 | 2 | 58 | 25 | 0,30 |
| | 17112019 | 18112019 | 041-19 | 19 | 1210 | 1 | 63 | 25 | 0,33 | 17212019 | 042-19 | 19 | 1210 | 2 | 64 | 25 | 0,38 |
| | 17112020 | - | 041-20 | 20 | 1610 | 1 | 71 | 25 | 0,36 | 17212020 | 042-20 | 20 | 1610 | 2 | 66 | 25 | 0,45 |
| | 17112021 | 18112021 | 041-21 | 21 | 1610 | 1 | 71 | 25 | 0,36 | 17212021 | 042-21 | 21 | 1610 | 2 | 71 | 25 | 0,50 |
| | 17112022 | - | 041-22 | 22 | 1610 | 1 | 70 | 25 | 0,36 | 17212022 | 042-22 | 22 | 1610 | 2 | 76 | 25 | 0,55 |
| | 17112023 | 18112023 | 041-23 | 23 | 1610 | 1 | 76 | 25 | 0,50 | 17212023 | 042-23 | 23 | 1610 | 2 | 79 | 25 | 0,62 |
| | 17112024 | - | 041-24 | 24 | 1610 | 1 | 70 | 25 | 0,53 | 17212024 | 042-24 | 24 | 2012 | 2 | 84 | 32 | 0,68 |
| | 17112025 | 18112025 | 041-25 | 25 | 1610 | 1 | 76 | 25 | 0,56 | 17212025 | 042-25 | 25 | 2012 | 2 | 87 | 32 | 0,72 |
| | 17112026 | - | 041-26 | 26 | 1610 | 1 | 70 | 32 | 0,60 | 17212026 | 042-26 | 26 | 2012 | 2 | 85 | 32 | 0,82 |
| | 17112027 | 18112027 | 041-27 | 27 | 1610 | 1 | 76 | 32 | 0,63 | 17212027 | 042-27 | 27 | 2012 | 2 | 87 | 32 | 0,92 |
| | 17112028 | - | 041-28 | 28 | 2012 | 1 | 90 | 32 | 0,87 | 17212028 | 042-28 | 28 | 2012 | 2 | 87 | 32 | 1,10 |
| | 17112030 | 18112030 | 041-30 | 30 | 2012 | 1 | 90 | 32 | 0,91 | 17212030 | 042-30 | 30 | 2012 | 2 | 87 | 32 | 1,24 |
| | 17112038 | - | 041-38 | 38 | 2012 | 1 | 102 | 32 | 1,25 | 17212038 | 042-38 | 38 | 2012 | 2 | 102 | 32 | 2,50 |
| | 17112045 | - | 041-45 | 45 | 2012 | 1 | 102 | 32 | 1,68 | 17212045 | 042-45 | 45 | 2012 | 2 | 111 | 32 | 3,05 |
| | 17112057 | - | 041-57 | 57 | 2012 | 6 | 111 | 32 | 2,78 | 17212057 | 042-57 | 57 | 2012 | 7 | 111 | 32 | 5,64 |
| | 17112076 | - | 041-76 | 76 | 2012 | 6 | 111 | 32 | 3,81 | 17212076 | 042-76 | 76 | 2012 | 7 | 111 | 32 | 5,69 |
| 17112095 | - | 041-95 | 95 | 2012 | 6 | 111 | 32 | 5,00 | 17212095 | 042-95 | 95 | 2012 | 7 | 111 | 32 | 5,10 | |
| 17112114 | - | 041-114 | 114 | 2517 | 6 | 124 | 45 | 6,50 | 17212114 | 042-114 | 114 | 2517 | 7 | 124 | 45 | 6,00 | |



CAD drawings available on our site
www.chiaravalli.com

Quantity, availability and prices
on B2B Chiaravalli



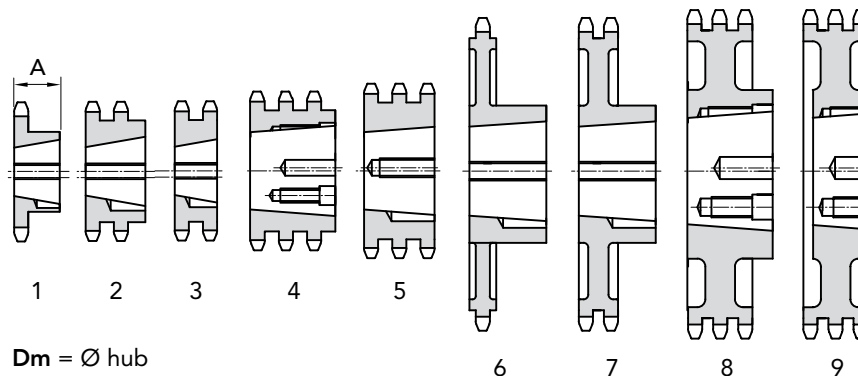
TAPER LOCK® CHAIN SPROCKETS

MATERIAL STEEL
C 45 UNI 5007

AVAILABLE ALSO WITH INDUCTION HARDENED TEETH

MATERIAL IN CAST IRON
GG20 UNI 5007

Hardened teeth HRC 45÷53



SIMPLES

DOUBLE

| PITCH | P. NUMBER | | COD. PITCH | Z | for | | Dm hub | A | Kg | P. NUMBER | | COD. PITCH | Z | for | | Dm hub | A | Kg | |
|------------------|-----------|----------|------------|------|-------|------|--------|-------|----------|-----------|--------|------------|------|------|------|--------|-------|----|--|
| | ACCIAIO | TEMPRATI | | | taper | bush | | | | Type | taper | | | bush | Type | | | | |
| 5/8" 15,87 mm | 17115013 | 18115013 | 051-13 | 13 | 1008 | 1 | 46 | 22 | 0,23 | | | | | | | | | | |
| | 17115014 | - | 051-14 | 14 | 1108 | 1 | 52 | 22 | 0,27 | | | | | | | | | | |
| | 17115015 | 18115015 | 051-15 | 15 | 1210 | 1 | 63 | 25 | 0,30 | 17215015 | 052-15 | 15 | 1210 | 3 | - | 25,5 | 0,38 | | |
| | 17115016 | - | 051-16 | 16 | 1610 | 1 | 70 | 25 | 0,38 | 17215016 | 052-16 | 16 | 1610 | 3 | - | 25,5 | 0,42 | | |
| | 17115017 | 18115017 | 051-17 | 17 | 1610 | 1 | 71 | 25 | 0,38 | 17215017 | 052-17 | 17 | 1610 | 3 | - | 25,5 | 0,47 | | |
| | 17115018 | - | 051-18 | 18 | 1610 | 1 | 75 | 25 | 0,43 | 17215018 | 052-18 | 18 | 1610 | 3 | - | 25,5 | 0,66 | | |
| | 17115019 | 18115019 | 051-19 | 19 | 1610 | 1 | 76 | 25 | 0,54 | 17215019 | 052-19 | 19 | 1610 | 3 | - | 25,5 | 0,72 | | |
| | 17115020 | - | 051-20 | 20 | 1610 | 1 | 75 | 25 | 0,61 | 17215020 | 052-20 | 20 | 1610 | 3 | - | 25,5 | 0,87 | | |
| | 17115021 | 18115021 | 051-21 | 21 | 1610 | 1 | 76 | 25 | 0,65 | 17215021 | 052-21 | 21 | 1610 | 3 | - | 25,5 | 1,01 | | |
| | 17115022 | - | 051-22 | 22 | 1610 | 1 | 76 | 25 | 0,72 | 17215022 | 052-22 | 22 | 1610 | 3 | - | 25,5 | 1,18 | | |
| | 17115023 | 18115023 | 051-23 | 23 | 1610 | 1 | 76 | 25 | 0,77 | 17215023 | 052-23 | 23 | 1610 | 3 | - | 25,5 | 1,35 | | |
| | 17115024 | - | 051-24 | 24 | 2012 | 1 | 90 | 32 | 0,98 | 17215024 | 052-24 | 24 | 2012 | 2 | 90 | 32 | 1,45 | | |
| | 17115025 | 18115025 | 051-25 | 25 | 2012 | 1 | 90 | 32 | 1,05 | 17215025 | 052-25 | 25 | 2012 | 2 | 90 | 32 | 1,55 | | |
| | 17115026 | - | 051-26 | 26 | 2012 | 1 | 85 | 32 | 1,11 | 17215026 | 052-26 | 26 | 2012 | 2 | 90 | 32 | 1,75 | | |
| | 17115027 | 18115027 | 051-27 | 27 | 2012 | 1 | 90 | 32 | 1,17 | 17215027 | 052-27 | 27 | 2012 | 2 | 90 | 32 | 1,98 | | |
| | 17115028 | - | 051-28 | 28 | 2012 | 1 | 90 | 32 | 1,29 | 17215028 | 052-28 | 28 | 2012 | 2 | 90 | 32 | 2,03 | | |
| | 17115030 | 18115030 | 051-30 | 30 | 2012 | 1 | 90 | 32 | 1,40 | 17215030 | 052-30 | 30 | 2012 | 2 | 90 | 32 | 2,63 | | |
| | 17115038 | - | 051-38 | 38 | 2012 | 1 | 102 | 32 | 2,43 | 17215038 | 052-38 | 38 | 2517 | 2 | 108 | 45 | 3,10 | | |
| | 17115045 | - | 051-45 | 45 | 2012 | 1 | 111 | 32 | 3,55 | 17215045 | 052-45 | 45 | 2517 | 7 | 110 | 45 | 4,00 | | |
| | 17115057 | - | 051-57 | 57 | 2012 | 6 | 111 | 32 | 4,28 | | | | | | | | | | |
| 17115076 | - | 051-76 | 76 | 2012 | 6 | 111 | 32 | 5,95 | | | | | | | | | | | |
| 17115095 | - | 051-95 | 95 | 2517 | 6 | 124 | 45 | 7,50 | | | | | | | | | | | |
| 17115114 | - | 051-114 | 114 | 2517 | 6 | 124 | 45 | 11,20 | | | | | | | | | | | |
| 3/4" 19,05 mm | 17119013 | 18119013 | 061-13 | 13 | 1210 | 1 | 63 | 25 | 0,35 | | | | | | | | | | |
| | 17119014 | - | 061-14 | 14 | 1610 | 1 | 71 | 25 | 0,40 | 17219014 | 062-14 | 14 | 1610 | 3 | - | 30,3 | 0,60 | | |
| | 17119015 | 18119015 | 061-15 | 15 | 1610 | 1 | 71 | 25 | 0,44 | 17219015 | 062-15 | 15 | 1610 | 3 | - | 30,3 | 0,68 | | |
| | 17119016 | - | 061-16 | 16 | 1610 | 1 | 75 | 25 | 0,53 | 17219016 | 062-16 | 16 | 1610 | 3 | - | 30,3 | 0,89 | | |
| | 17119017 | 18119017 | 061-17 | 17 | 1610 | 1 | 76 | 25 | 0,66 | 17219017 | 062-17 | 17 | 1610 | 3 | - | 30,3 | 1,14 | | |
| | 17119018 | - | 061-18 | 18 | 2012 | 1 | 90 | 32 | 0,86 | 17219018 | 062-18 | 18 | 2012 | 2 | 89 | 32 | 1,18 | | |
| | 17119019 | 18119019 | 061-19 | 19 | 2012 | 1 | 90 | 32 | 0,94 | 17219019 | 062-19 | 19 | 2012 | 2 | 95 | 32 | 1,24 | | |
| | 17119020 | - | 061-20 | 20 | 2012 | 1 | 90 | 32 | 1,04 | 17219020 | 062-20 | 20 | 2517 | 2 | 108 | 45 | 1,40 | | |
| | 17119021 | 18119021 | 061-21 | 21 | 2517 | 1 | 102 | 45 | 1,24 | 17219021 | 062-21 | 21 | 2517 | 2 | 108 | 45 | 1,68 | | |
| | 17119022 | - | 061-22 | 22 | 2517 | 1 | 102 | 45 | 1,60 | 17219022 | 062-22 | 22 | 2517 | 2 | 108 | 45 | 1,99 | | |
| | 17119023 | 18119023 | 061-23 | 23 | 2517 | 1 | 108 | 45 | 1,70 | 17219023 | 062-23 | 23 | 2517 | 2 | 108 | 45 | 2,24 | | |
| | 17119024 | - | 061-24 | 24 | 2517 | 1 | 108 | 45 | 1,81 | 17219024 | 062-24 | 24 | 2517 | 2 | 108 | 45 | 2,54 | | |
| | 17119025 | 18119025 | 061-25 | 25 | 2517 | 1 | 108 | 45 | 1,93 | 17219025 | 062-25 | 25 | 2517 | 2 | 108 | 45 | 2,87 | | |
| | 17119026 | - | 061-26 | 26 | 2517 | 1 | 108 | 45 | 2,04 | 17219026 | 062-26 | 26 | 2517 | 2 | 108 | 45 | 3,17 | | |
| | 17119027 | 18119027 | 061-27 | 27 | 2517 | 1 | 108 | 45 | 2,14 | 17219027 | 062-27 | 27 | 2517 | 2 | 108 | 45 | 3,55 | | |
| | 17119028 | - | 061-28 | 28 | 2517 | 1 | 108 | 45 | 2,37 | 17219028 | 062-28 | 28 | 2517 | 2 | 108 | 45 | 4,10 | | |
| | 17119030 | 18119030 | 061-30 | 30 | 2517 | 1 | 108 | 45 | 2,60 | 17219030 | 062-30 | 30 | 2517 | 2 | 108 | 45 | 4,62 | | |
| | 17119038 | - | 061-38 | 38 | 2517 | 1 | 124 | 45 | 3,93 | 17219038 | 062-38 | 38 | 3020 | 2 | 152 | 51 | 8,11 | | |
| | 17119045 | - | 061-45 | 45 | 2517 | 1 | 124 | 45 | 5,54 | 17219045 | 062-45 | 45 | 3020 | 7 | 154 | 51 | 9,00 | | |
| | 17119057 | - | 061-57 | 57 | 2517 | 6 | 124 | 45 | 6,48 | 17219057 | 062-57 | 57 | 3020 | 7 | 160 | 51 | 10,28 | | |
| 17119076 | - | 061-76 | 76 | 2517 | 6 | 124 | 45 | 9,71 | 17219076 | 062-76 | 76 | 3020 | 7 | 160 | 51 | 15,24 | | | |
| 17119095 | - | 061-95 | 95 | 2517 | 6 | 124 | 45 | 12,20 | 17219095 | 062-95 | 95 | 3020 | 7 | 160 | 51 | 20,00 | | | |
| 17119114 | - | 061-114 | 114 | 2525 | 6 | 124 | 63 | 16,80 | 17219114 | 062-114 | 114 | 3030 | 7 | 160 | 76 | 25,00 | | | |

CAD drawings available on our site
www.chiaravalli.com

Quantity, availability and prices
on B2B Chiaravalli

TAPER LOCK® CHAIN SPROCKETS



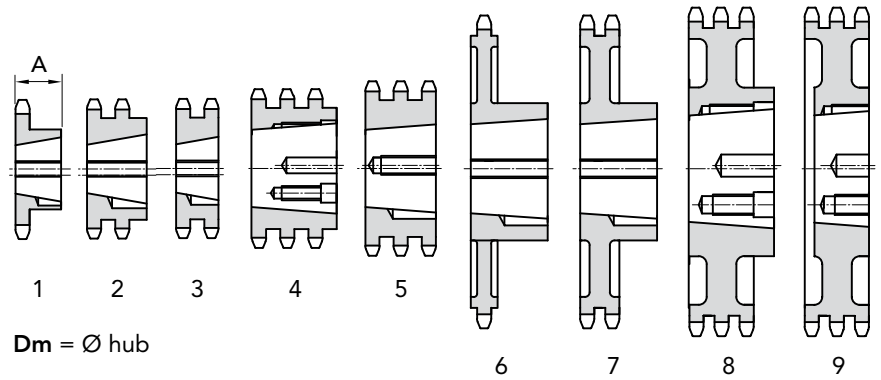
TAPER LOCK® CHAIN SPROCKETS

MATERIAL **STEEL**
C 45 UNI 5007

AVAILABLE ALSO
WITH INDUCTION
HARDENED TEETH

MATERIAL **IN CAST IRON**
GG20 UNI 5007

Hardened teeth HRC 45÷53



| PITCH | SIMPLES | | | | | | | | | | DOUBLE | | | | | | |
|-----------------|----------|----------|---------|-------|------|-------|-----|----|-------|----------|---------|------|------|-------|-----|------|-------|
| | P.NUMBER | P.NUMBER | COD. | Z | for | Exec. | Dm | A | Kg | P.NUMBER | COD. | Z | for | Exec. | Dm | A | Kg |
| 25,40 mm | ACCIAIO | TEMPRATI | PITCH | taper | bush | Type | hub | | | PITCH | taper | bush | Type | hub | | | |
| | 17125013 | - | 081-13 | 13 | 1610 | 1 | 78 | 25 | 0,98 | 17225013 | 081-13 | 13 | 1610 | 3 | - | 47,7 | 1,70 |
| | 17125014 | - | 081-14 | 14 | 1610 | 1 | 78 | 25 | 1,14 | 17225014 | 081-14 | 14 | 1610 | 3 | - | 47,7 | 1,90 |
| | 17125015 | 18125015 | 081-15 | 15 | 1610 | 1 | 78 | 25 | 1,30 | 17225015 | 082-15 | 15 | 2012 | 3 | - | 47,7 | 2,11 |
| | 17125016 | - | 081-16 | 16 | 2012 | 1 | 90 | 32 | 1,40 | 17225016 | 082-16 | 16 | 2517 | 3 | - | 47,7 | 2,25 |
| | 17125017 | 18125017 | 081-17 | 17 | 2012 | 1 | 90 | 32 | 1,59 | 17225017 | 082-17 | 17 | 2517 | 3 | - | 47,7 | 2,53 |
| | 17125018 | - | 081-18 | 18 | 2012 | 1 | 108 | 45 | 2,10 | 17225018 | 082-18 | 18 | 2517 | 3 | - | 47,7 | 3,10 |
| | 17125019 | 18125019 | 081-19 | 19 | 2517 | 1 | 108 | 45 | 2,29 | 17225019 | 082-19 | 19 | 2517 | 3 | - | 47,7 | 3,50 |
| | 17125020 | - | 081-20 | 20 | 2517 | 1 | 108 | 45 | 2,60 | 17225020 | 082-20 | 20 | 2517 | 3 | - | 47,7 | 4,10 |
| | 17125021 | 18125021 | 081-21 | 21 | 2517 | 1 | 108 | 45 | 2,81 | 17225021 | 082-21 | 21 | 3020 | 2 | 143 | 51 | 4,15 |
| | 17125022 | - | 081-22 | 22 | 2517 | 1 | 108 | 45 | 3,10 | 17225022 | 082-22 | 22 | 3020 | 2 | 150 | 51 | 4,90 |
| | 17125023 | 18125023 | 081-23 | 23 | 2517 | 1 | 108 | 45 | 3,38 | 17225023 | 082-23 | 23 | 3020 | 2 | 160 | 51 | 5,69 |
| | 17125024 | - | 081-24 | 24 | 2517 | 1 | 108 | 45 | 3,70 | 17225024 | 082-24 | 24 | 3020 | 2 | 166 | 51 | 6,00 |
| | 17125025 | 18125025 | 081-25 | 25 | 2517 | 1 | 108 | 45 | 3,97 | 17225025 | 082-25 | 25 | 3020 | 2 | 175 | 51 | 6,38 |
| | 17125026 | - | 081-26 | 26 | 2517 | 1 | 108 | 45 | 4,26 | 17225026 | 082-26 | 26 | 3020 | 2 | 175 | 51 | 7,80 |
| | 17125027 | 18125027 | 081-27 | 27 | 2517 | 1 | 108 | 45 | 4,55 | 17225027 | 082-27 | 27 | 3020 | 2 | 175 | 51 | 9,27 |
| | 17125028 | - | 081-28 | 28 | 2517 | 1 | 108 | 45 | 5,26 | 17225028 | 082-28 | 28 | 3020 | 2 | 175 | 51 | 11,4 |
| | 17125030 | 18125030 | 081-30 | 30 | 3020 | 1 | 160 | 51 | 5,97 | 17225030 | 082-30 | 30 | 3020 | 2 | 175 | 51 | 13,5 |
| | 17125038 | - | 081-38 | 38 | 3020 | 1 | 160 | 51 | 8,73 | 17225038 | 082-38 | 38 | 3030 | 7 | 146 | 51 | 14,54 |
| | 17125045 | - | 081-45 | 45 | 3020 | 1 | 160 | 51 | 12,49 | 17225045 | 082-45 | 45 | 3030 | 7 | 146 | 51 | 16,0 |
| | 17125057 | - | 081-57 | 57 | 3020 | 6 | 160 | 51 | 13,87 | 17225057 | 082-57 | 57 | 3525 | 7 | 198 | 65 | 25,0 |
| | 17125076 | - | 081-76 | 76 | 3020 | 6 | 160 | 51 | 22,63 | 17225076 | 082-76 | 76 | 3525 | 7 | 198 | 65 | 30,0 |
| | 17125095 | - | 081-95 | 95 | 3020 | 6 | 160 | 51 | 32,00 | 17225095 | 082-95 | 95 | 3525 | 7 | 216 | 65 | 37,0 |
| | 17125114 | - | 081-114 | 114 | 3030 | 6 | 150 | 76 | 50,00 | 17225114 | 082-114 | 114 | 4040 | 7 | 216 | 102 | 52,0 |
| 1" 1/4 | 17131015 | 18131015 | 081-15 | 15 | 2517 | 1 | 108 | 45 | 3,39 | | | | | | | | |
| 31,75 mm | 17131017 | 18131017 | 081-17 | 17 | 2517 | 1 | 108 | 45 | 5,07 | | | | | | | | |
| | 17131019 | 18131019 | 081-19 | 19 | 2517 | 1 | 108 | 45 | 6,75 | | | | | | | | |
| | 17131021 | 18131021 | 081-21 | 21 | 2517 | 1 | 108 | 45 | 7,70 | | | | | | | | |
| | 17131023 | 18131023 | 081-23 | 23 | 2517 | 1 | 108 | 45 | 8,78 | | | | | | | | |
| | 17131025 | 18131025 | 081-25 | 25 | 2517 | 1 | 108 | 45 | 9,50 | | | | | | | | |
| | 17131030 | 18131030 | 081-30 | 30 | 3020 | 1 | 160 | 51 | 15,90 | | | | | | | | |
| | 17131038 | - | 081-38 | 38 | 3020 | 6 | 160 | 51 | 15,80 | | | | | | | | |



CAD drawings available on our site
www.chiaravalli.com

Quantity, availability and prices
on B2B Chiaravalli

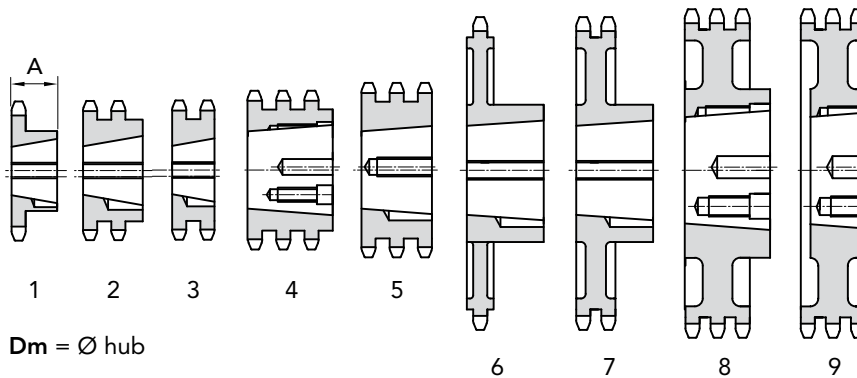


TAPER LOCK® CHAIN SPROCKETS

MATERIAL **STEEL**
C 45 UNI 5007

MATERIAL **IN CAST IRON**
GG20 UNI 5007

Hardened teeth HRC 45÷53



TRIPLE

| PITCH | P.NUMBER | COD. | Z | for | Exec. | Dm | A | Kg |
|---------------|----------|---------|------------|------|-------|-----|------|-------|
| | | PITCH | taper bush | Type | hub | | | |
| 3/4" 19,05 mm | 17319015 | 063-15 | 15 | 1615 | 5 | - | 49,8 | 1,11 |
| | 17319017 | 063-17 | 17 | 2012 | 5 | - | 49,8 | 1,75 |
| | 17319019 | 063-19 | 19 | 2012 | 5 | - | 49,8 | 2,02 |
| | 17319021 | 063-21 | 21 | 2517 | 5 | - | 49,8 | 2,49 |
| | 17319023 | 063-23 | 23 | 2517 | 5 | - | 49,8 | 3,00 |
| | 17319025 | 063-25 | 25 | 2517 | 5 | - | 49,8 | 3,98 |
| | 17319027 | 063-27 | 27 | 3020 | 4 | 140 | 51 | 3,90 |
| | 17319030 | 063-30 | 30 | 3020 | 4 | 140 | 51 | 5,64 |
| | 17319038 | 063-38 | 38 | 3020 | 4 | 140 | 51 | 11,58 |
| | 17319045 | 063-45 | 45 | 3020 | 4 | 159 | 51 | 12,11 |
| | 17319057 | 063-57 | 57 | 3020 | 5 | 159 | 51 | 13,23 |
| | 17319076 | 063-76 | 76 | 3020 | 5 | 159 | 51 | 16,00 |
| | 17319095 | 063-95 | 95 | 3030 | 8 | 165 | 76 | 21,00 |
| | 17319114 | 063-114 | 114 | 3030 | 8 | 165 | 76 | 27,00 |
| 1" 25,40 mm | 17325017 | 063-17 | 17 | 2517 | 5 | - | 79,6 | 4,29 |
| | 17325019 | 063-19 | 19 | 3020 | 5 | - | 79,6 | 4,36 |
| | 17325021 | 063-21 | 21 | 3020 | 5 | - | 79,6 | 6,69 |
| | 17325023 | 063-23 | 23 | 3525 | 5 | - | 79,6 | 7,80 |
| | 17325025 | 063-25 | 25 | 3525 | 5 | - | 79,6 | 10,93 |
| | 17325027 | 063-27 | 27 | 3525 | 5 | - | 79,6 | 14,06 |
| | 17325030 | 063-30 | 30 | 3525 | 5 | - | 79,6 | 19,10 |
| | 17325038 | 063-38 | 38 | 3535 | 9 | - | 79,6 | 21,65 |
| | 17325045 | 063-45 | 45 | 4040 | 9 | - | 79,6 | 28,10 |
| | 17325057 | 063-57 | 57 | 4040 | 9 | - | 79,6 | 40,50 |
| | 17325076 | 063-76 | 76 | 4040 | 9 | - | 79,6 | 53,30 |
| | 17325095 | 063-95 | 95 | 4040 | 9 | - | 79,6 | 70,00 |
| | 17325114 | 063-114 | 114 | 4545 | 8 | 240 | 115 | 90,00 |



CAD drawings available on our site
www.chiaravalli.com

Quantity, availability and prices
on B2B Chiaravalli